

LBT-D307

SERVICE MANUAL

REVISED

CIS Model

These system are composed of following models.
As for the service manual, it is issued for each
component model, then, please refer to it.

COMPONENT MODEL NAME FOR THESE SYSTEM

DECK RECEIVER	HST-D307
TURN TABLE	PS-LX49P
CD PLAYER	CDP-M33
CD CHANGER	CDP-C322M
SPEAKER SYSTEM	SS-A307

PARTS LIST

•Items marked "***" are not stocked since
they are seldom required for routine
service. Some delay should be anticipated
when ordering these items.

<u>Part No.</u>	<u>Description</u>	<u>Remark</u>	<u>Part No.</u>	<u>Description</u>	<u>Remark</u>
1-501-374-11	ANTENNA, LOOP		1-465-697-11	REMOTE COMMANDER (RM-S305)	
1-501-536-11	ANTENNA, LOOP		3-707-584-01	COVER, BATTERY (RM-S305)	
3-754-671-61	MANUAL, INSTRUCTION (English, German, Polish, Russian)				
* 4-951-308-01	INDIVIDUAL CARTON (HST-D307, PS-LX49P)				

CIS : Common Independent States

COMPACT Hi-Fi STEREO SYSTEM
SONY®

HST-D307

SERVICE MANUAL

AEP Model
UK Model
East European Model



HST-D307 are the
STEREO DECK RECEIVER
in LBT-D307/D307CD.

Dolby noise reduction manufactured under license from Dolby Laboratories Licensing Corporation. "DOLBY" and the double-D symbol $\square\square$ are trademarks of Dolby Laboratories Licensing Corporation.

Model Name Using Similar Mechanism	NEW	
Tape Transport Mechanism Type	DECK A	TCM-190RA12CL
	DECK B	TCM-190RB22CL

SPECIFICATIONS

Tuner System	FM stereo FM/AM superheterodyne tuner
FM tuner section	65 to 74MHz (East European model)
Tuning range	87.5 to 108 MHz
Antenna	75 ohms unbalanced
Intermediate frequency	10.7 MHz
MW/LW tuner section	
Tuning range	MW: 522 to 1,611 kHz (Italian model) 531 to 1,602 kHz (AEP, UK, Germany, East European model)
	LW: 144 to 288 kHz (Italian model) 153 to 279 kHz (AEP, UK, Germany, East European model)
Antenna	AM loop antenna External antenna terminal
Intermediate frequency	450 kHz
Amplifier	
DIN power output	40W + 40W (6 ohms, at 1kHz)
Continuous RMS power output	48W + 48W (6 ohms, at 1 kHz, 5% THD)

Music power output 80W + 80W (6 ohms)

Input	Jack type	Sensitivity	Impedance
PHONO	Phono	3mV	47 kohms
VIDEO	Phono	300mV	47 kohms
CD	Phono	300mV	47 kohms

Output	Jack type	Impedance
SURROUND SPEAKER	Phono	Accepts speakers of 16 ohms
HEADPHONES	Stereophone	Accepts headphones of 8 ohms or more

Frequency response CD: 15 Hz to 50 kHz $\pm \frac{0}{3}$ dB

Cassette deck

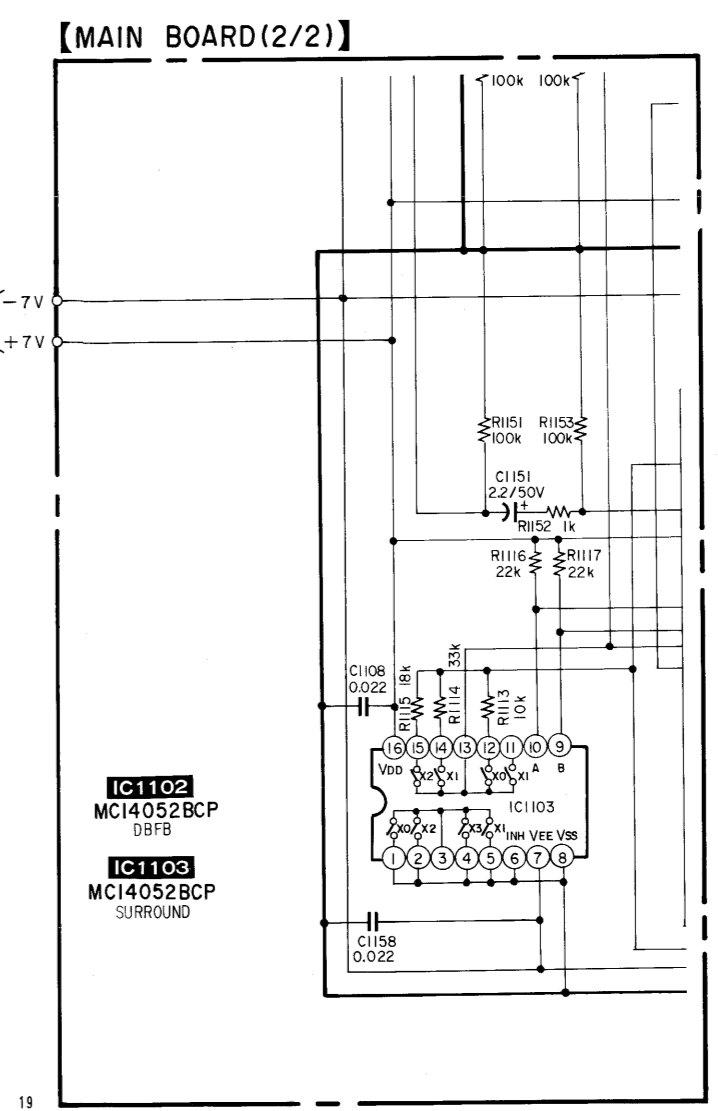
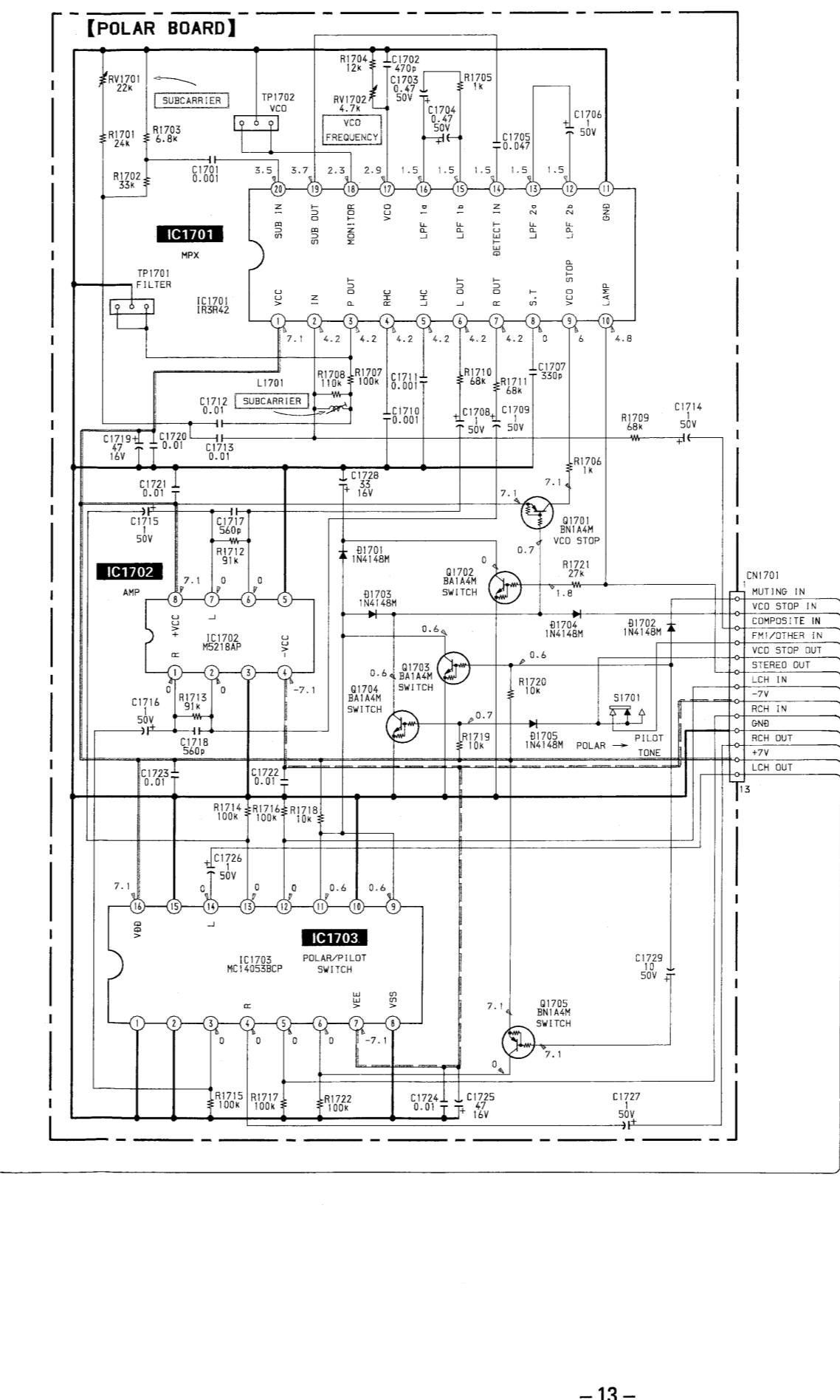
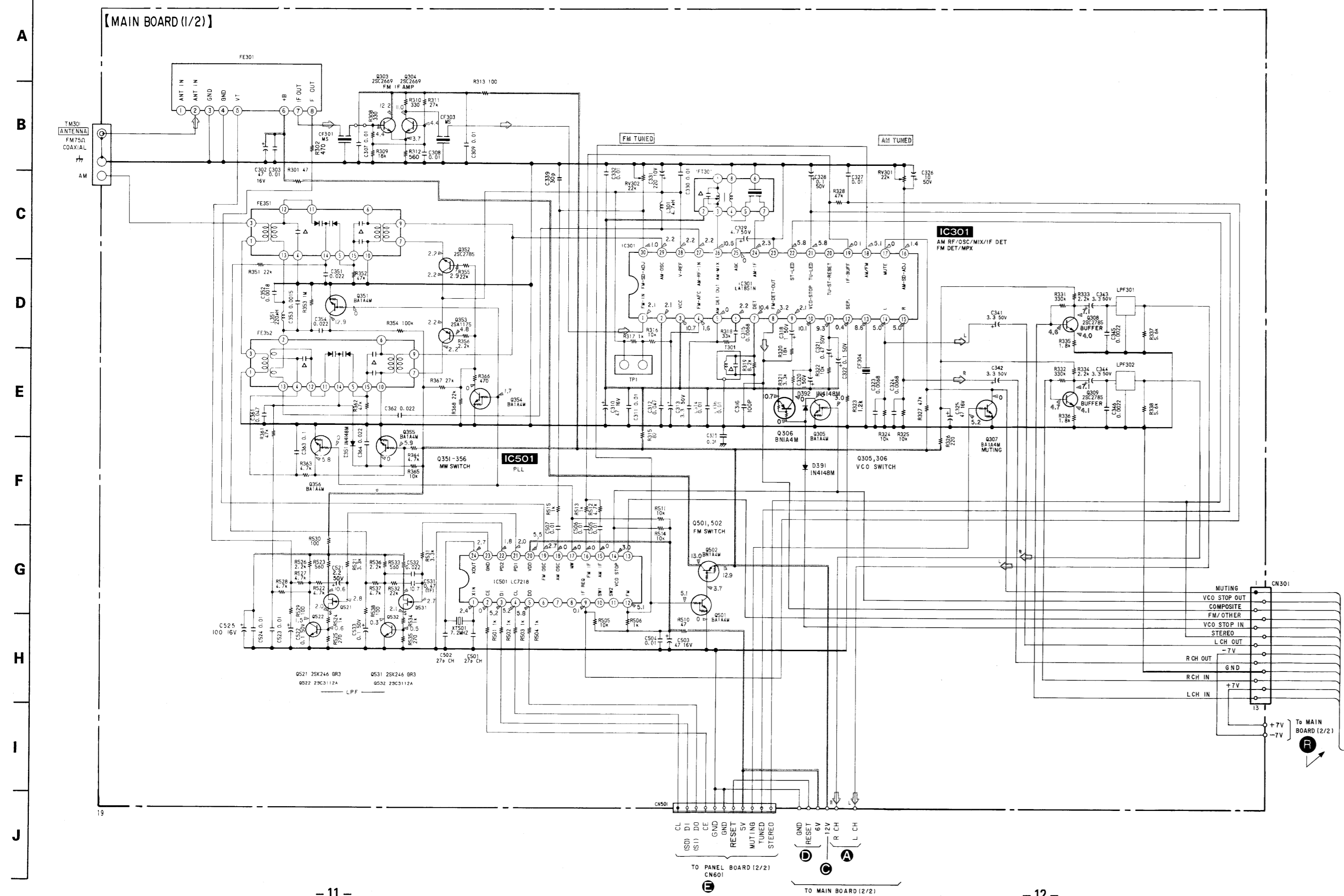
Recording system	4-track 2-channel stereo
Frequency response	DOLBY NR OFF With Type II cassette (Sony UX-S) 40 Hz to 14 kHz (± 3 dB) With Type I cassette (Sony HF-S) 40 Hz to 13 kHz (± 3 dB)

- continued on next page -

COMPACT Hi-Fi STEREO SYSTEM
SONY®

2-5. SCHEMATIC DIAGRAM

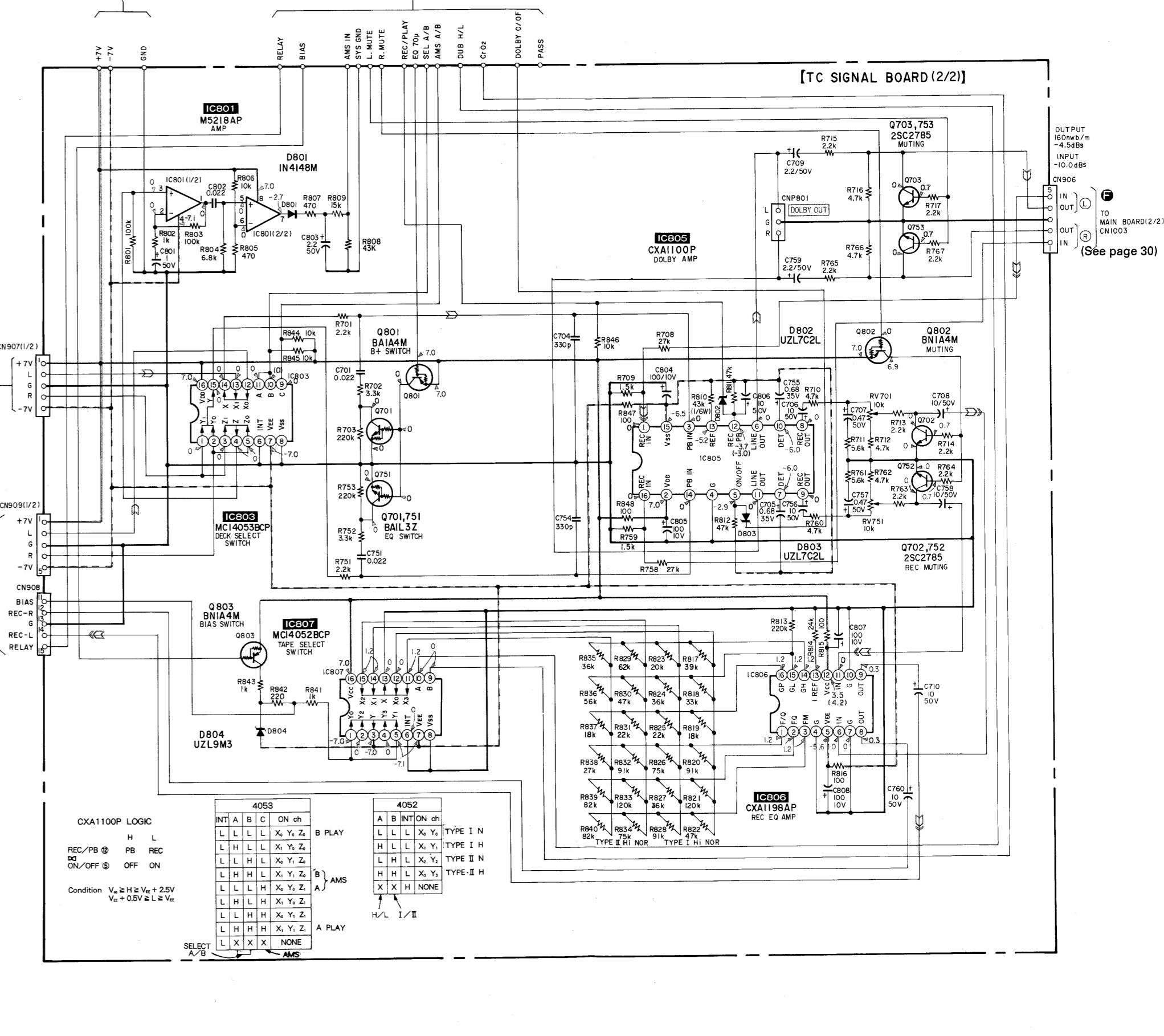
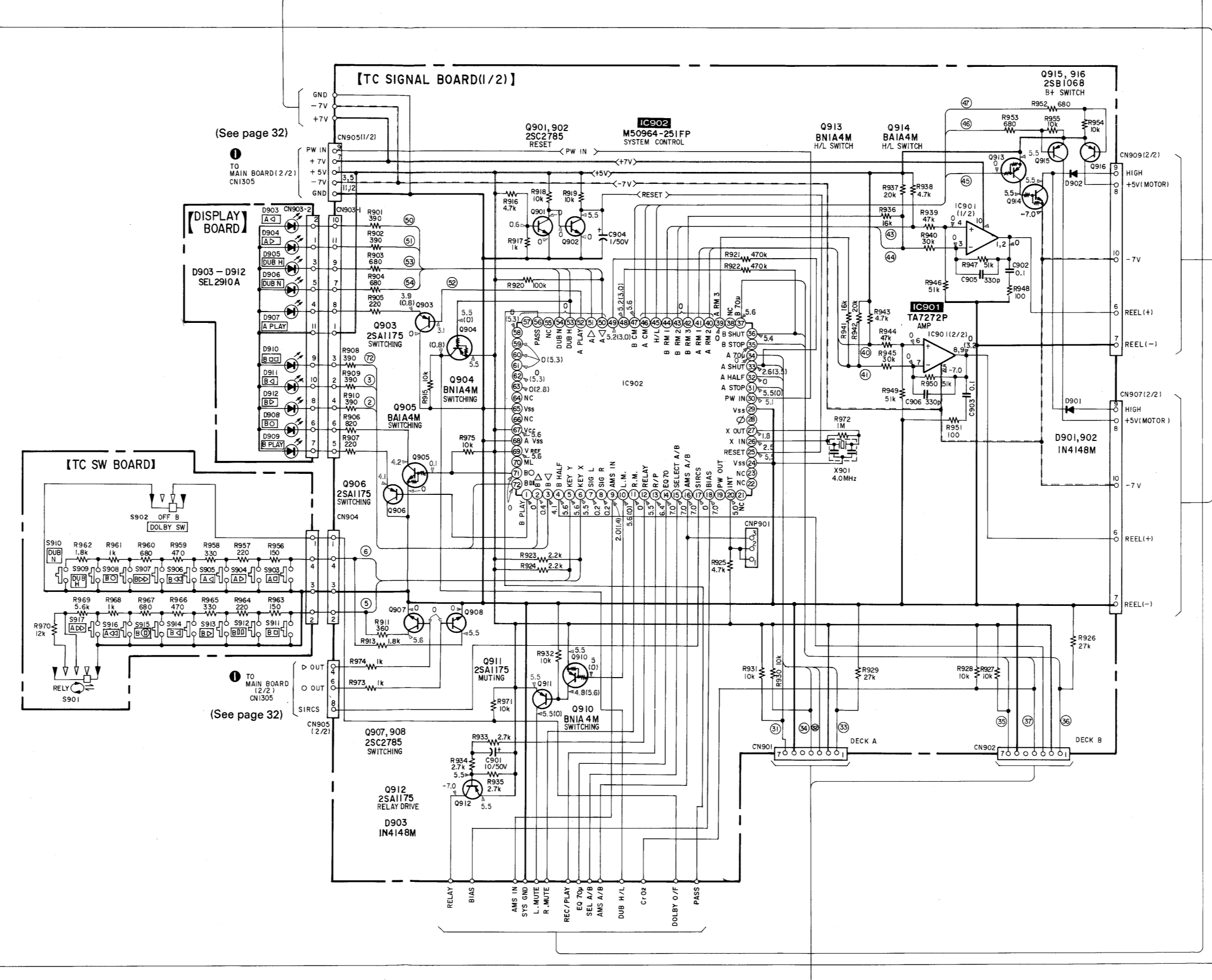
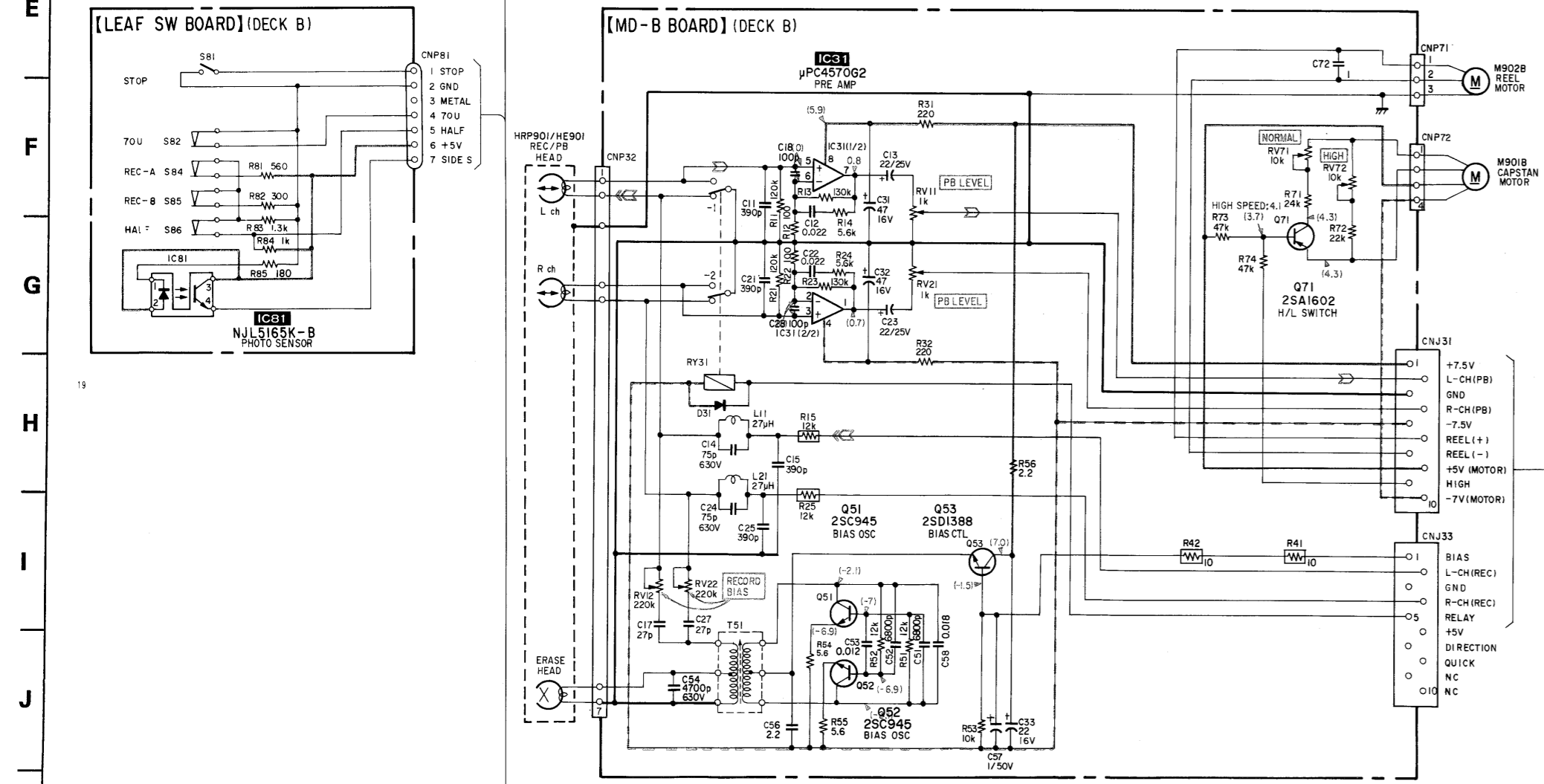
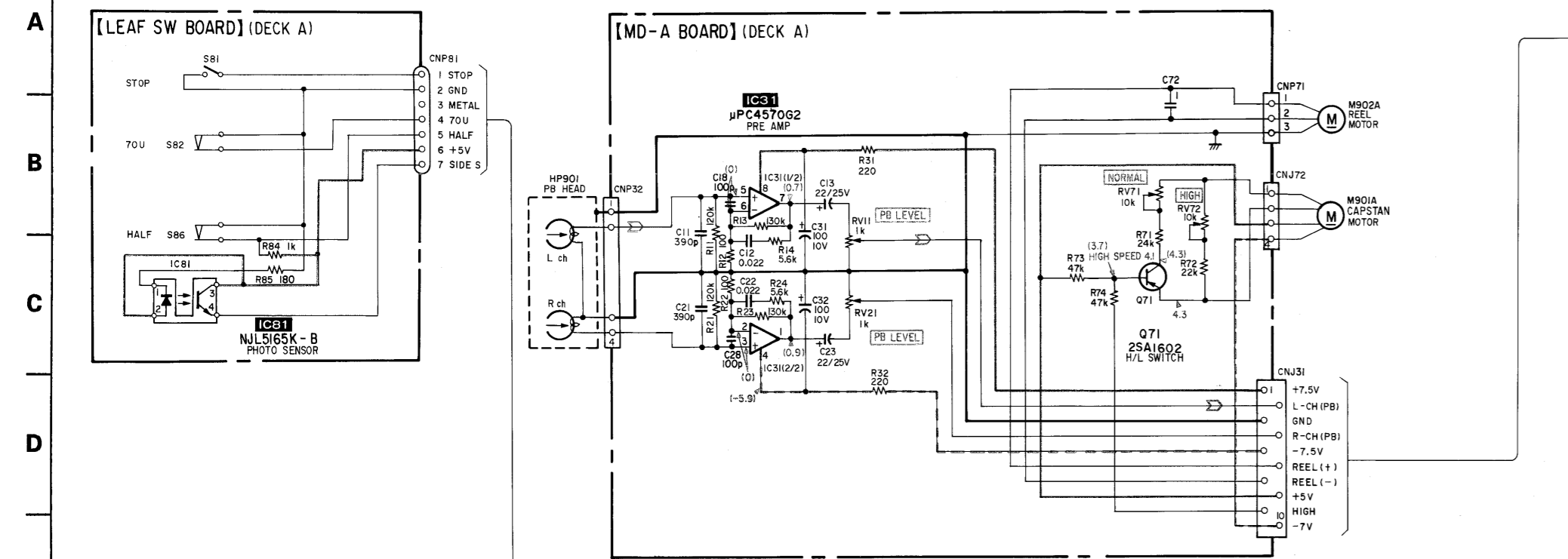
1 2 3 4 5 6 7 8 9 10 11 12 13 14 15 16 17 18 19 20 21 22 23 24 25 26 27 28 29



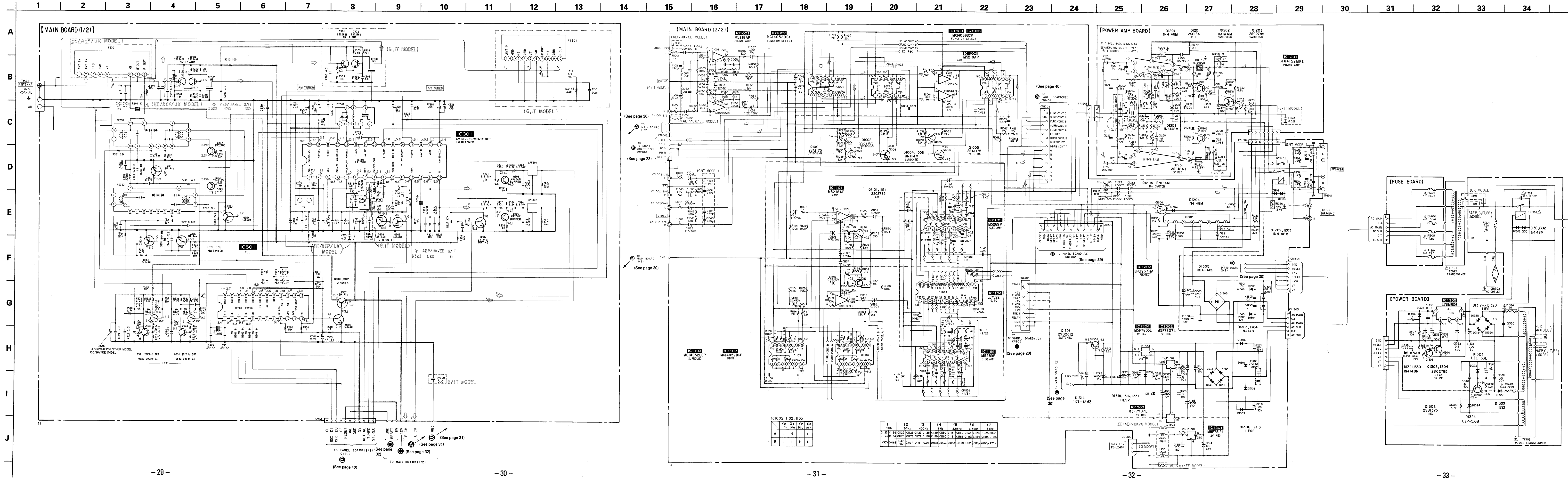
Notes on schematic diagram:

- All capacitors are in μF unless otherwise noted. pF: μpF 50WV or less are not indicated except for electrolytics and tantalums.
- All resistors are in ohms, 1/4W or less unless otherwise noted.
- Δ : Internal component
- \square : B+ Line
- \square : B- Line
- \square : Adjustment for repair
- Voltage are dc with respect to ground under no-signal conditions.
- Voltages are taken with a VOM (input impedance 10M Ω). Voltage variations may be noted due to normal production tolerances.
- Signal path
- \square : FM

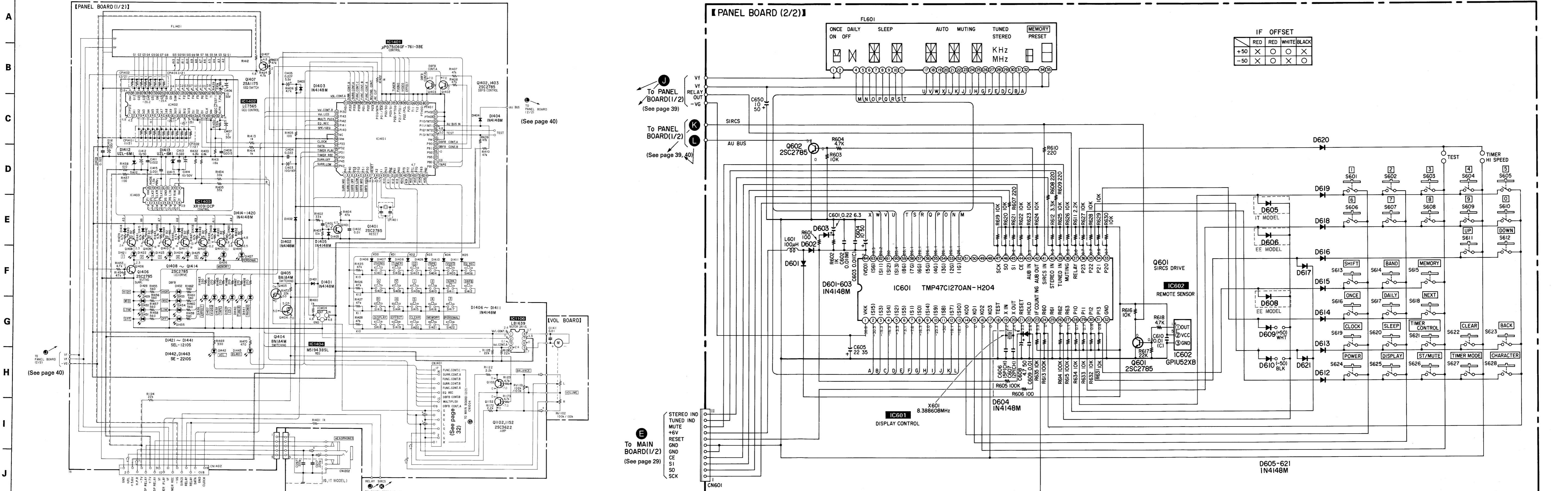
1 2 3 4 5 6 7 8 9 10 11 12 13 14 15 16 17 18 19 20 21 22 23 24 25 26 27 28 29 30 31 32 33 34 35



3-8. SCHEMATIC DIAGRAM - MAIN SECTION -



3-10. SCHEMATIC DIAGRAM - PANEL SECTION -



IF OFFSET

	RED	RED	WHITE	BLACK
+50	X	○	○	X
-50	X	○	X	○

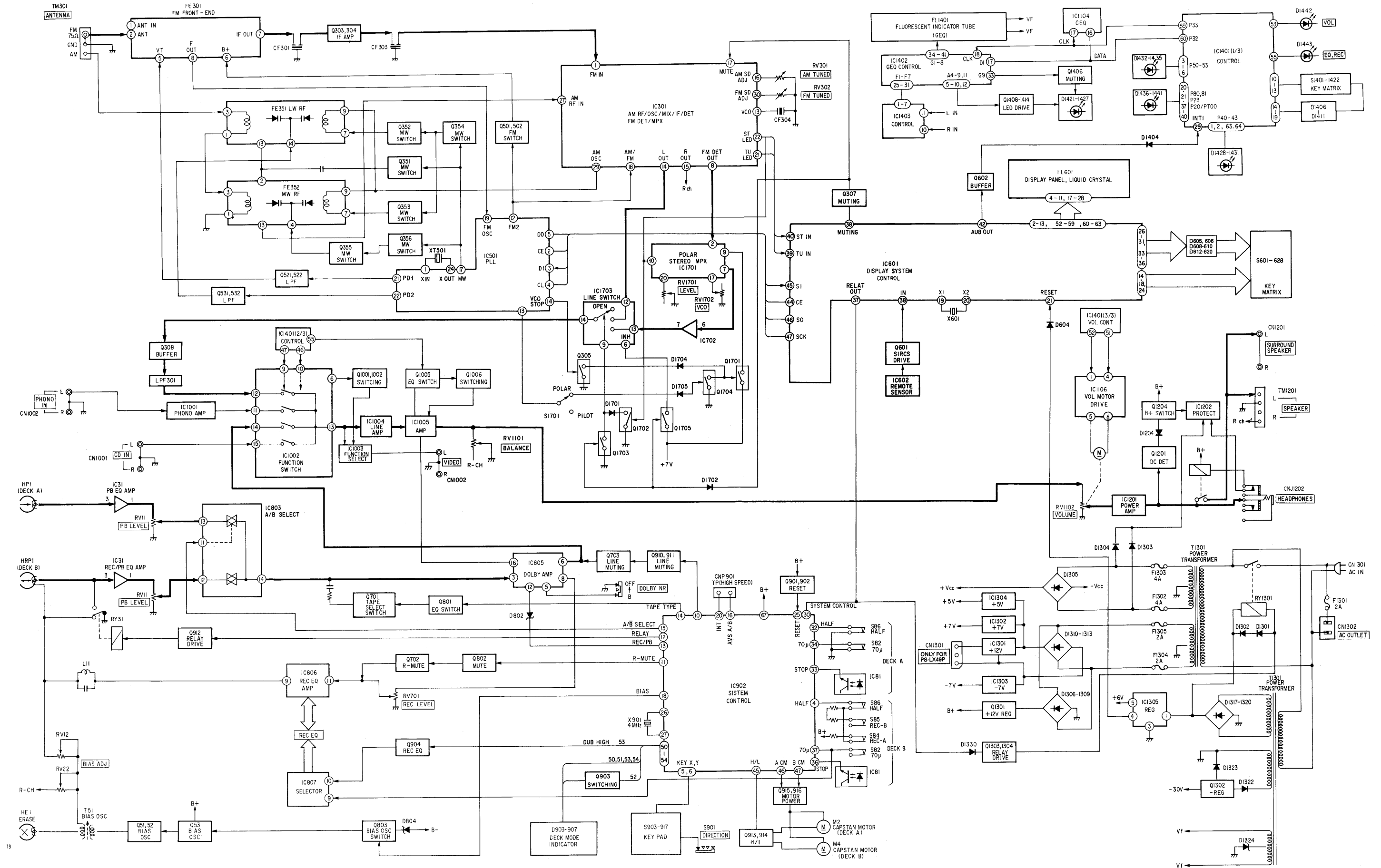
J To PANEL BOARD (1/2) (See page 39)

K To PANEL BOARD (1/2) (See page 39, 40)

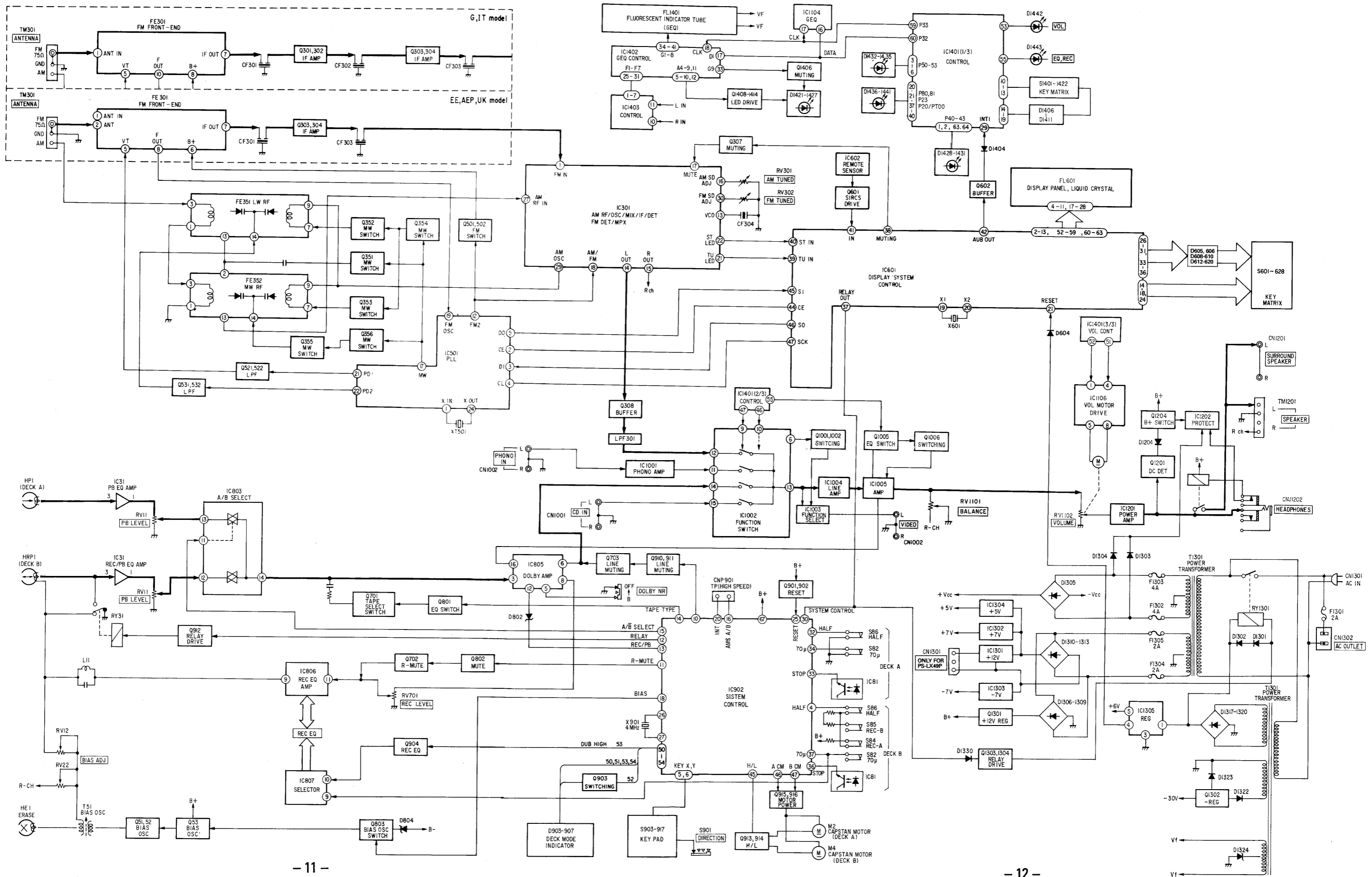
E To MAIN BOARD (1/2) (See page 29)

(See page 40)

2-3. BLOCK DIAGRAM



3-2. BLOCK DIAGRAM



PS-LX49P

SERVICE MANUAL

*AEP Model
UK Model
East European Model*



SPECIFICATIONS

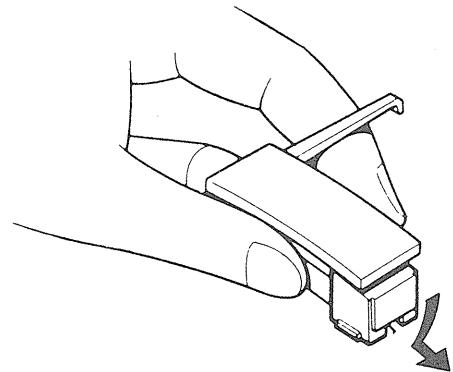
Turntable	
Platter	30cm (12 in.)
Motor	DC servo motor
Drive system	Belt drive
Speed	33 1/3 rpm/45 rpm switchable
Wow and flutter	0.2% (WRMS)
Signal-to-noise ratio	60 dB (DIN-B)
Automatic system	Return, reject
Tonearm	
Type	Dynamically blanced
Pivot-to-stylus length	203 mm (8 in.)
Overall arm length	235 mm (9 1/4 in.)
Cartridge	
Type	Moving magnet type
Frequency response	20 Hz-20kHz
Stylus	CN-234
General	
Dimensions	355x96.5x348 mm(w/h/d) (14x3 4/5x13 3/4 inches)
Weight	Approx. 1.95kg (4 lb 5 oz)
Power requirements	12V DC
Accessory supplied	45-rpm adaptor (1)
Optional accessories	Replacement stylus CN-234 Stat spray XP-C10 Cleaner XP-C1, XP-C2

Design and specificatins subject to change without notice.

Note

This appliance conforms with EEC Directive 87/308/EEC regarding interference suppression.

REPLACING THE STYLUS



Replace the stylus after about 400 hours of use because using a worn stylus will damage records. An CN-234 replacement stylus is available at your Sony dealer.

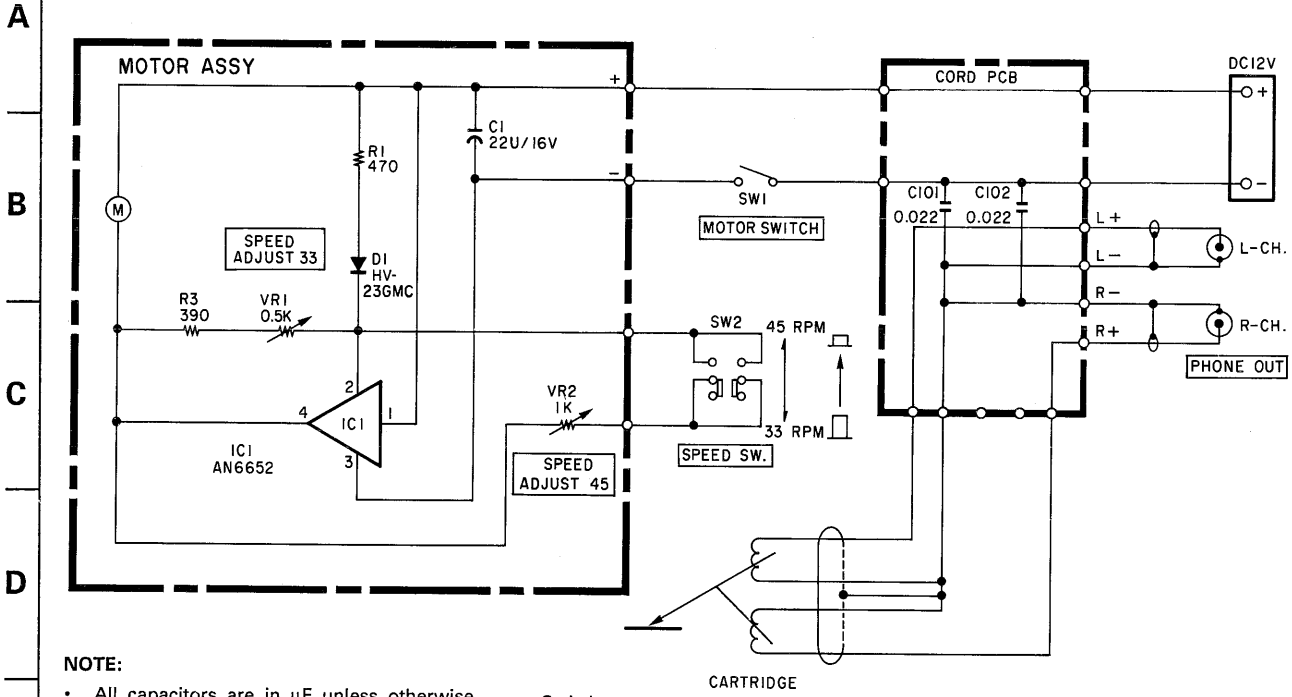
Be sure to turn the amplifier off before proceeding with replacement.

- 1 While holding the cartridge, detach the stylus assembly as illustrated.
- 2 Insert the new stylus into the cartridge.

STEREO TURNTABLE SYSTEM
SONY®



SCHEMATIC DIAGRAM



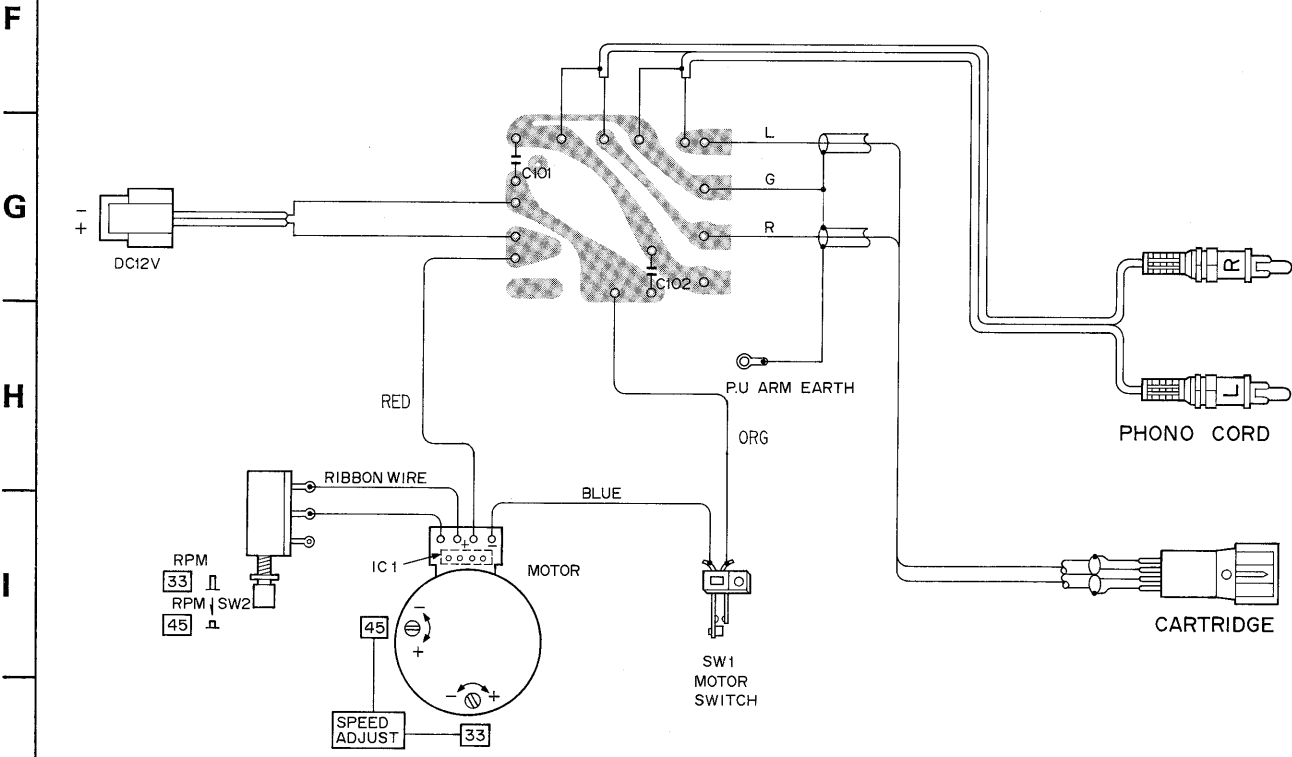
NOTE:

- All capacitors are in μF unless otherwise noted. pF : μF 50VV or less are not indicated except for electrolytics and tantalums.
- All resistors are in Ω and 1/4W or less unless otherwise specified.

• Switches :

Ref.No.	Switch	Position
SW1	MOTOR	OFF
SW2	SPEED	33

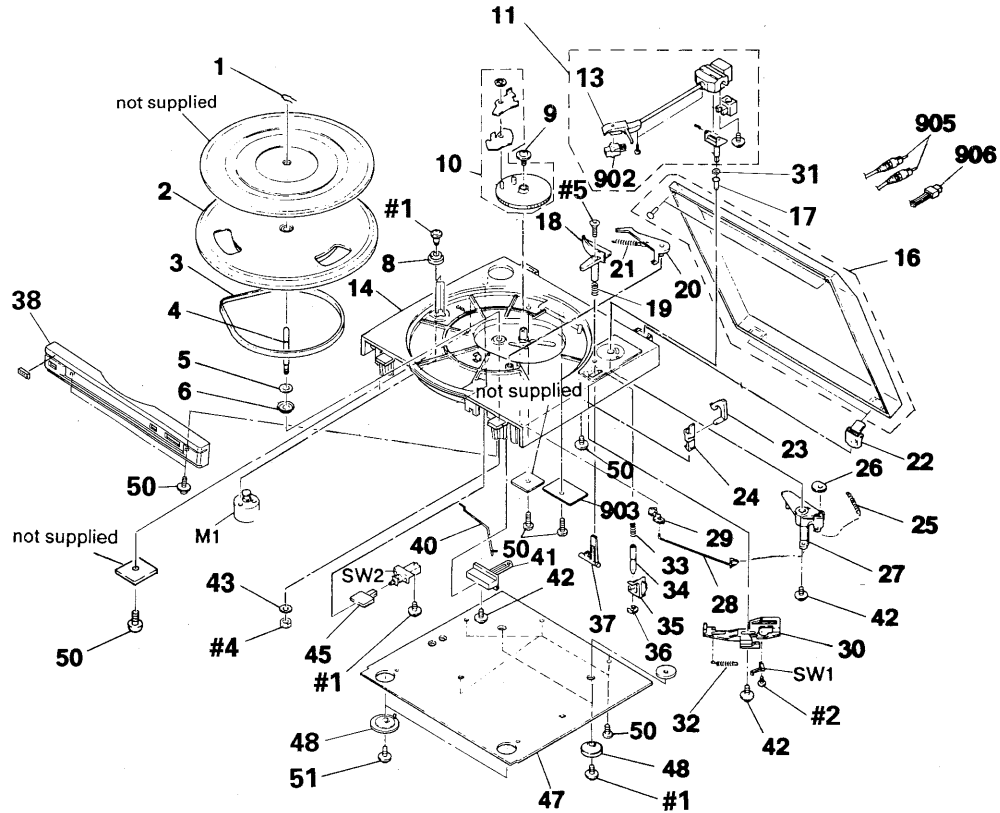
WIRING DIAGRAM



EXPLODED VIEW

NOTE:

- -XX, -X mean standardized parts, so they may have some differences from the original one.
- The construction parts of an assembled part are indicated with a collation number in the remark column.
- Items marked "*" are not stocked since they are seldom required for routine service. Some delay should be anticipated when ordering these items.
- The mechanical parts with no reference number in the exploded views are not supplied.
- Screw(# mark) list is given in the last of this parts list.



Ref.No.	Part No.	Description	Remarks	Ref.No.	Part No.	Description	Remarks
1	4-895-490-01	CLIP, SPINDLE		26	4-895-818-01	CAM, ADJUSTMENT	
2	A-4604-243-A	TURNTABLE ASSY		27	* 4-896-372-01	LINK, RETURN	
3	4-943-396-01	BELT		28	4-896-371-01	ROD, TRIP	
4	* 4-896-361-01	SPINDLE		29	* 4-896-304-01	LEVER, TRIP	
5	4-895-024-01	POLY WASHER		30	* 4-896-373-01	ARM, SLIDE	
6	4-943-399-01	WASHER, FLAT		31	3-701-446-01	WASHER	
8	4-895-414-01	GROMMET (A)		32	4-896-374-01	SPRING (SLIDE ARM)	
9	4-896-294-01	SCREW(7-BID 3006 2N3A 10D)		33	4-943-405-01	SPRING, DUMPING	
10	4-895-495-01	GEAR, CAM, CLUTCH		34	4-896-252-01	SHAFT, ARM LIFT	
11	A-4660-132-A	ARM ASSY		35	4-896-253-01	FORK, LIFT	
13	1-543-927-11	HEAD P. U		36	4-896-254-01	RING (DIA. 3), E	
14	* 4-943-945-01	CABINET, MAIN		37	4-896-212-01	LEVER, CUE	
16	A-4620-041-A	COVER ASSY, DUST		38	A-4660-133-A	PANEL, FRONT	
17	* 4-947-001-01	SHAFT, P. U		40	4-896-367-01	LOT (REJECT)	
18	4-896-258-01	PLATFORM, LIFT		41	4-950-458-01	BUTTON (REJECT)	
19	4-896-267-01	SPRING (A)		42	4-896-369-01	SCREW (7-CUP 3008 WF12 ZN3A)	
20	* 4-896-364-01	LEVER (REJECT)		43	4-943-397-01	WASHER, SPRING	
21	4-896-365-01	SPRING (C)		45	4-950-459-01	BUTTON (SPEED)	
22	4-896-321-01	HINGE ASSY		47	4-947-002-01	BOARD BOTTOM	
23	4-895-418-01	P. U. TUBE HOOK		48	4-895-435-01	FOOT	
24	4-943-398-01	REST, P. U		50	4-896-375-01	SCREW (7-CUP 3012 WF08 ZN3K)	
25	4-895-460-01	ADJUST SPRING		51	4-943-406-01	SCREW (7-CUP 3006 WF12 ZN3A)	

ELECTRICAL PARTS LIST

NOTE:

When indicating parts by reference number, please include the board name.

- Due to standardization, replacements in the parts list may be different from the parts specified in the diagrams or the components used on the set.
- -XX, -X mean standardized parts, so they may have some difference from the original one.
- RESISTORS
All resistors are in ohms
METAL : Metal-film resistor
METAL OXIDE : Metal Oxide-film resistor
F : nonflammable
- Items marked "*" are not stocked since they are seldom required for routine service. Some delay should be anticipated when ordering these items.
- SEMICONDUCTORS
In each case, u : μ , for example :
uA...: μ A..., uPA...: μ PA...,
uPB...: μ PB..., uPC...: μ PC...,
uPD...: μ PD...
- CAPACITORS
MF : μ F, PF : μ μ F
- COILS
MMH : mH, uH : μ H

Ref.No.	Part No.	Description	Remarks	Ref.No.	Part No.	Description	Remarks
902	1-549-142-11	CARTRIDGE				PACKING MATERIAL	
903	1-643-201-11	PC BOARD, CORD					
905	1-555-116-11	CORD, CONNECTION				* 4-950-461-01 CUSHION (RIGHT)	
906	1-557-109-21	CORD, CONNECTION (3 CORE)				* 4-950-480-01 CUSHION (LEFT)	
M1	A-4604-244-A	MOTOR ASSY				*****	
SW1	1-570-666-11	SWITCH, LEAF				SCREW	
SW2	1-571-089-11	SWITCH, PUSH (1KEY) (SPEED)					
*****				#1	7-685-646-79	SCREW (7-CUP 3010 WF12 ZN3A)	
				#2	7-685-104-19	SCREW (7-PAN 2006 ZN3A)	
				#4	7-684-024-04	NUT 50 ZN3A	
				#5	7-621-561-49	SCREW (1-FLAT 2612 ZN3K)	

PS-LX49P

SONY® SERVICE MANUAL

AEP Model
UK Model
East European Model

SUPPLEMENT-1

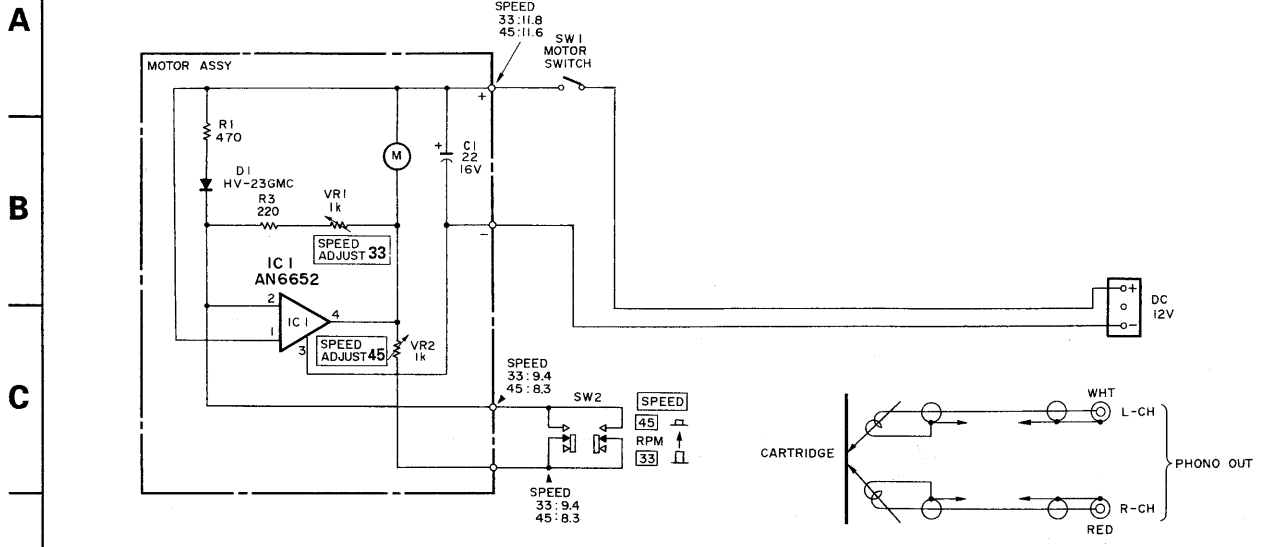
File this supplement with the service manual.

This supplement updates the following.

- For models with serial number YA500001 or larger, refer to this service manual.

1 2 3 4 5 6 7

SCHEMATIC DIAGRAM



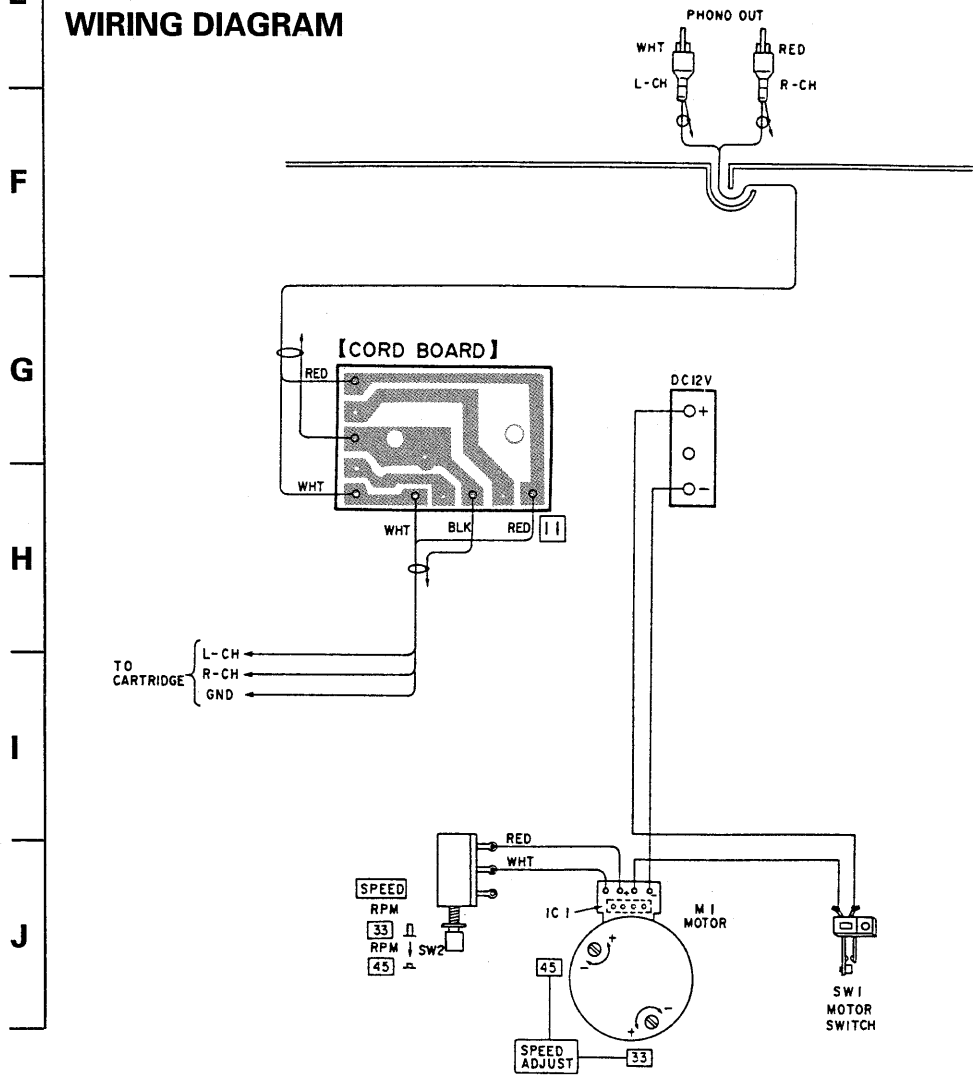
NOTE:

- All capacitors are in μF unless otherwise noted. pF: μF 50WV or less are not indicated except for electrolytics and tantalums.
- All resistors are in Ω and 1/4W or less unless otherwise specified.

Switches :

Ref.No.	Switch	Position
SW1	MOTOR	OFF
SW2	SPEED	33

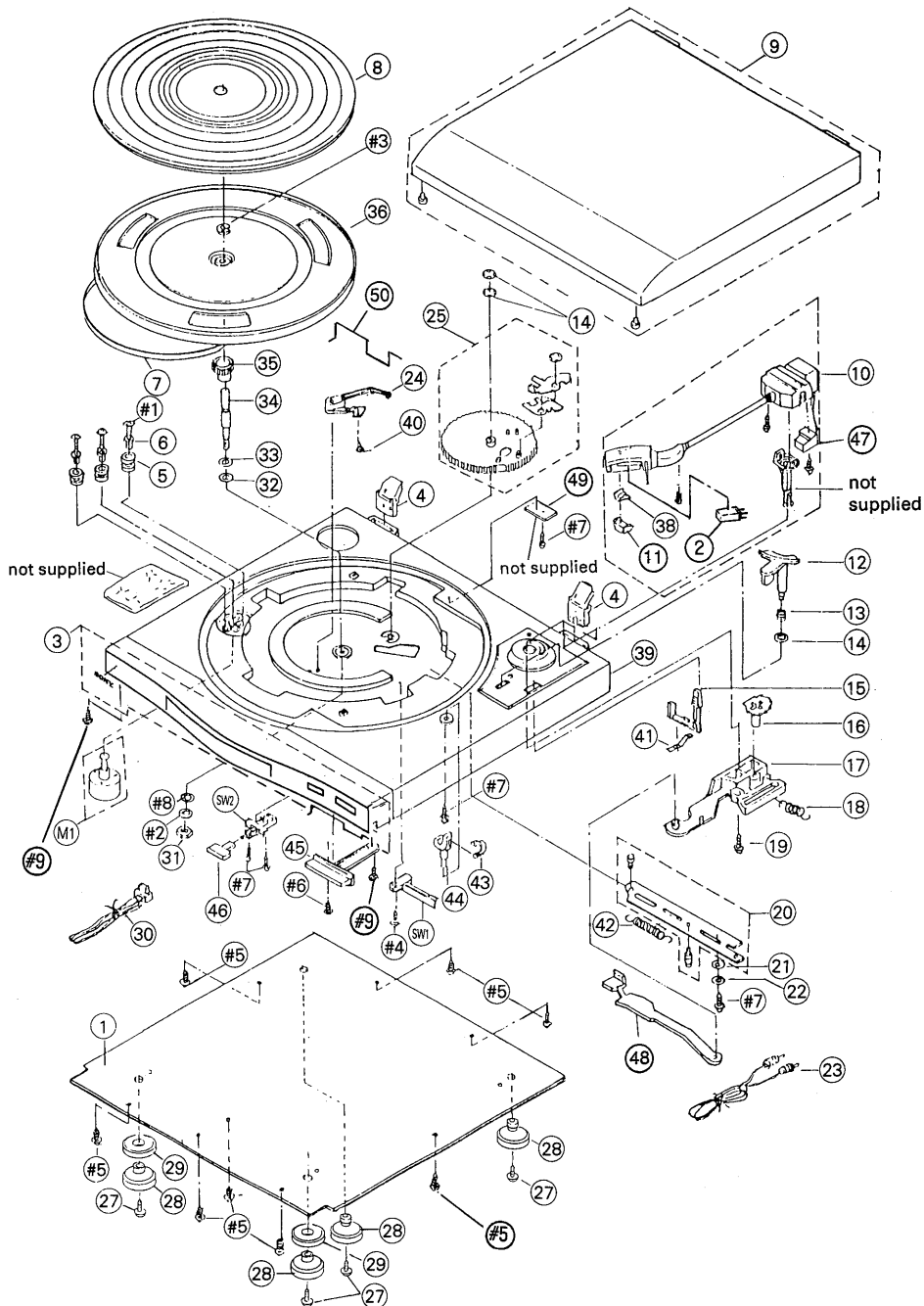
WIRING DIAGRAM



EXPLODED VIEW

NOTE:

- -XX, -X mean standardized parts, so they may have some differences from the original one.
- The construction parts of an assembled part are indicated with a collation number in the remark column.
- Items marked "*" are not stocked since they are seldom required for routine service. Some delay should be anticipated when ordering these items.
- The mechanical parts with no reference number in the exploded views are not supplied.
- Screw(# mark) list is given in the last of this parts list.

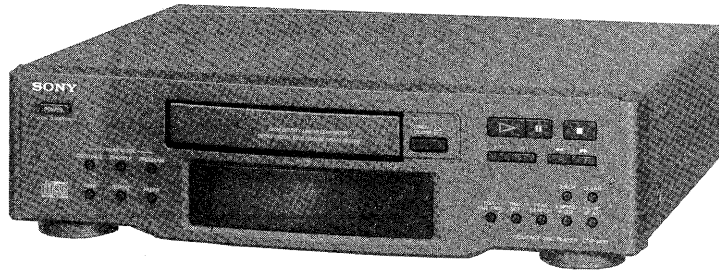


Ref. No.	Part No.	Description	Remarks	Ref. No.	Part No.	Description	Remarks
1	4-950-488-01	BUTTON BOARD		6	4-947-504-01	COLLAR	
2	1-251-028-11	CARTRIDGE		7	4-947-503-01	BELT	
3	A-4660-136-A	PANEL (G) ASSY, FRONT		8	4-947-539-01	RUBBER MAT	
4	4-947-476-01	HINGE		9	A-4604-946-A	COVER ASSY, DUST	
5	4-947-505-01	CUSHION MOTOR					

CDP-M33

SERVICE MANUAL

US Model
AEP Model
UK Model
E Model
Australian Model



Model Name Using Similar Mechanism	CDP - M54
CD Mechanism Name	CDM14L-5BD8A
Optical Pick-up Block Type	BU-5BD8A

SPECIFICATIONS

Compact disc player

Frequency response 2 Hz to 20 kHz 0.5 dB
Signal-to-noise ratio More than 93 dB
Dynamic range More than 90 dB
Harmonic distortion Less than 0.008%
Channel separation More than 90 dB

Outputs

LINE OUT (FIXED)

Output level 2 V (at 50 kilohms)
Load impedance over 10 kilohms

General

Power requirements U.S model:
120 V AC, 60 Hz
UK, Australian model :
240VAC, 50Hz
AEP, Italian model :
220 - 230VAC, 50/60 Hz
E, Saudi Arabia Model :
110 - 120 V/220 - 240 V
AC, adjustable with the
voltage selector, 50/60 Hz
Power consumption 11 W

Dimensions (approx., including projections)

355 × 95 × 325 mm (w/h/d)
(14 × 3 3/4 × 12 1/4 inches)

Weight (approx.) 3.2 kg (7 lbs 1 oz)

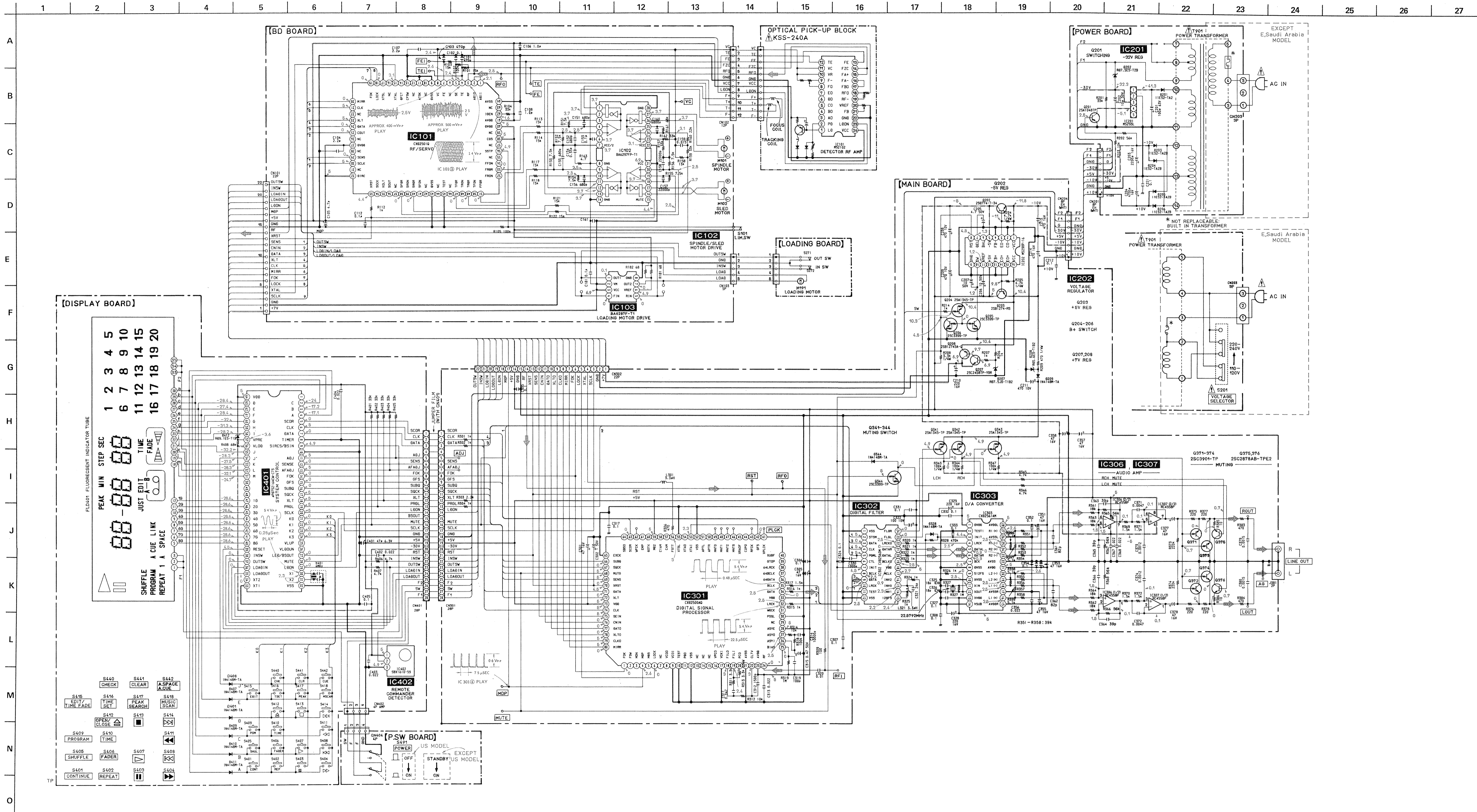
Supplied accessories

Audio cord (1) (2 phono plugs - 2 phono plugs)
AC plug adaptor (1) (except for the United States and Australia)

Design and specifications are subject to change without notice.

COMPACT DISC PLAYER
SONY®





Note on Schematic Diagram :

- All capacitors are in μF unless otherwise noted. pF: $\mu\mu\text{F}$ 50V or less are not indicated except for electrolytics and tantalums.
- All resistors are in Ω and $\frac{1}{2} W$ or less unless otherwise specified.
- Δ : internal component.

Note The components identified by mark Δ or dotted line with mark Δ are critical for safety. Replace only with part number specified.

S440 CHECK S441 CLEAR S442 ASK
 S443 TIME SET S444 PEAK SEARCH S445 MUSIC SCAN
 S446 EDIT/ TIME FADE S447 TIME SET S448 PEAK SEARCH S449 MUSIC SCAN
 S450 PROGRAM S451 TIME S452 ASK
 S453 SHUFFLE S454 FADER S455 ASK
 S456 CONTINUE S457 REPEAT S458 ASK

S409 PROGRAM S410 TIME S411 ASK
 S408 SHUFFLE S406 FADER S407 ASK
 S401 CONTINUE S402 REPEAT S403 ASK S404 ASK

S440 CHECK S441 CLEAR S442 ASK
 S443 TIME SET S444 PEAK SEARCH S445 MUSIC SCAN
 S446 EDIT/ TIME FADE S447 TIME SET S448 PEAK SEARCH S449 MUSIC SCAN
 S450 PROGRAM S451 TIME S452 ASK
 S453 SHUFFLE S454 FADER S455 ASK
 S456 CONTINUE S457 REPEAT S458 ASK

S409 PROGRAM S410 TIME S411 ASK
 S408 SHUFFLE S406 FADER S407 ASK
 S401 CONTINUE S402 REPEAT S403 ASK S404 ASK

S440 CHECK S441 CLEAR S442 ASK
 S443 TIME SET S444 PEAK SEARCH S445 MUSIC SCAN
 S446 EDIT/ TIME FADE S447 TIME SET S448 PEAK SEARCH S449 MUSIC SCAN
 S450 PROGRAM S451 TIME S452 ASK
 S453 SHUFFLE S454 FADER S455 ASK
 S456 CONTINUE S457 REPEAT S458 ASK

CDP-C322M

SERVICE MANUAL

*US Model
AEP Model
UK Model
E Model
Australian Model*



Model Name Using Similar Mechanism	CDP-C325M/C422M
Optical Pick-up Block Type	BU-5BD8B

SPECIFICATIONS

System	Compact disc digital audio system	General	
Laser	Semiconductor laser ($\lambda = 780 \text{ nm}$)	Power requirements	US model: 120V AC, 60Hz UK, Australian model: 240V AC, 50/60Hz AEP model: 220-230V AC, 50/60Hz E model: 110-120 or 220-240V AC adjustable, 50/60Hz
Laser output	Emission duration: continuous Max. $44.6 \mu\text{W}^*$ * This output is the value measured at a distance of about 200 mm from the objective lens surface on the Optical Pick-up Block.	Power consumption	12 W
Frequency response	2 Hz - 20 kHz ($\pm 0.5 \text{ dB}$)	Dimensions	Approx. $355 \times 120 \times 385 \text{ mm}$ (w/h/d) ($14 \times 4\frac{3}{4} \times 15\frac{1}{4}$ inches) including projecting parts and controls
Signal to noise ratio	More than 100 dB	Weight	Approx. 5.0 kg (11 lbs 1 oz), net
Dynamic range	More than 98 dB	Supplied accessories	Audio signal connecting cord (phono plug $\times 2 \leftrightarrow$ phono plug $\times 2$) (1) Operating Manual (1)
Harmonic distortion	Less than 0.005% (1 kHz)		
Channel separation	More than 100 dB (1 kHz)		
Wow and flutter	Below measurable limit		
Outputs	LINE OUT (phono jacks) Output level 2 V (at 50 kilohms) Load impedance over 10 kilohms		

Design and specifications are subject to change without notice.



COMPACT DISC PLAYER
SONY®

SECTION 4 EXPLODED VIEWS

NOTE :

- The mechanical parts with no reference number in the exploded views are not supplied.
- Items marked "*" are not stocked since they are seldom required for routine service. Some delay should be anticipated when ordering these items.

- -XX, -X mean standardized parts, so they may have some differences from the original one.

- Color Indication of Appearance Parts
Example:
KNOB, BALANCE (WHITE)..(RED)

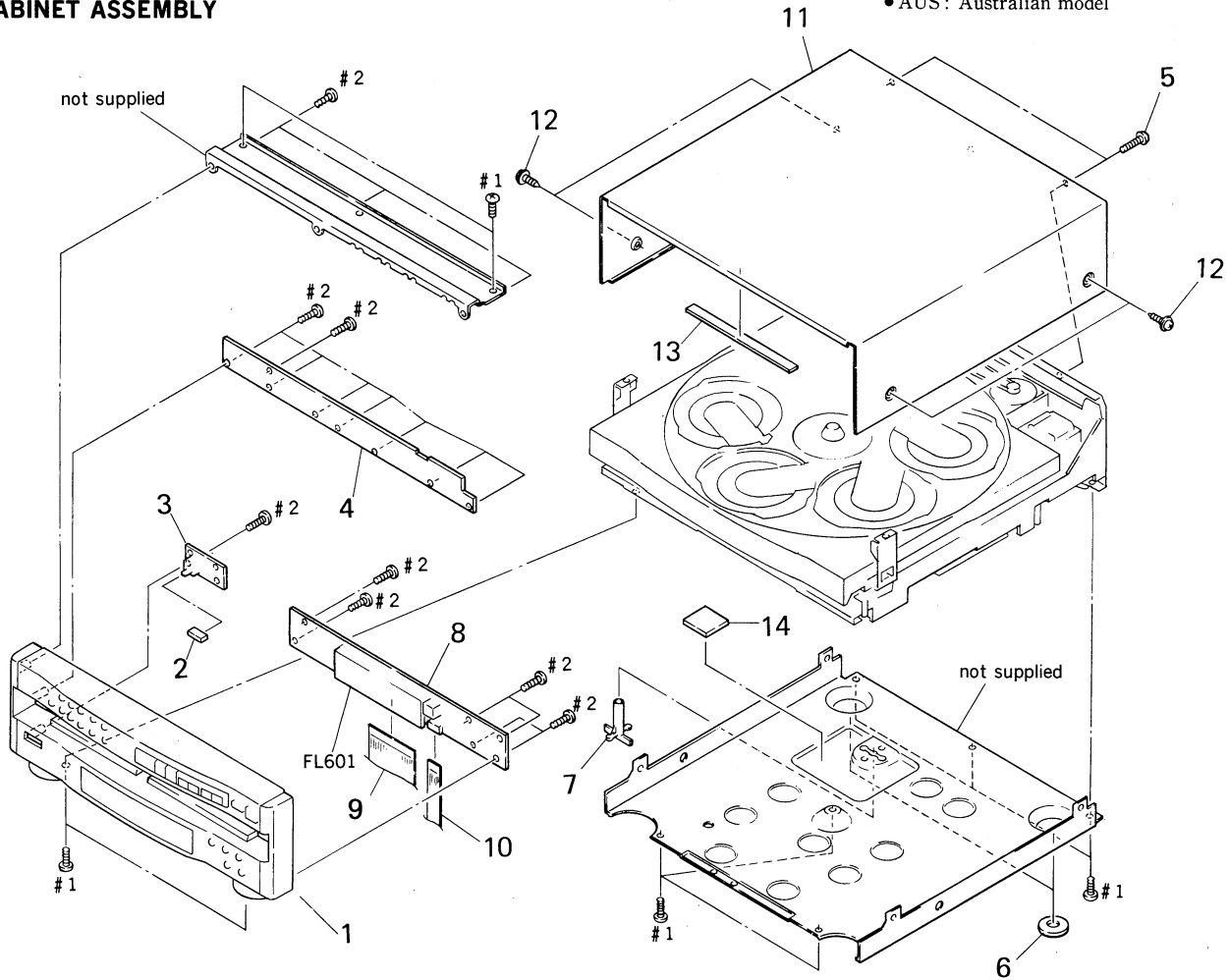
Parts Color Cabinet's Color

- Hardware (# mark) list is given in the last of this parts list.

The components identified by mark or dotted line with mark are critical for safety. Replace only with part number specified.

- AUS: Australian model

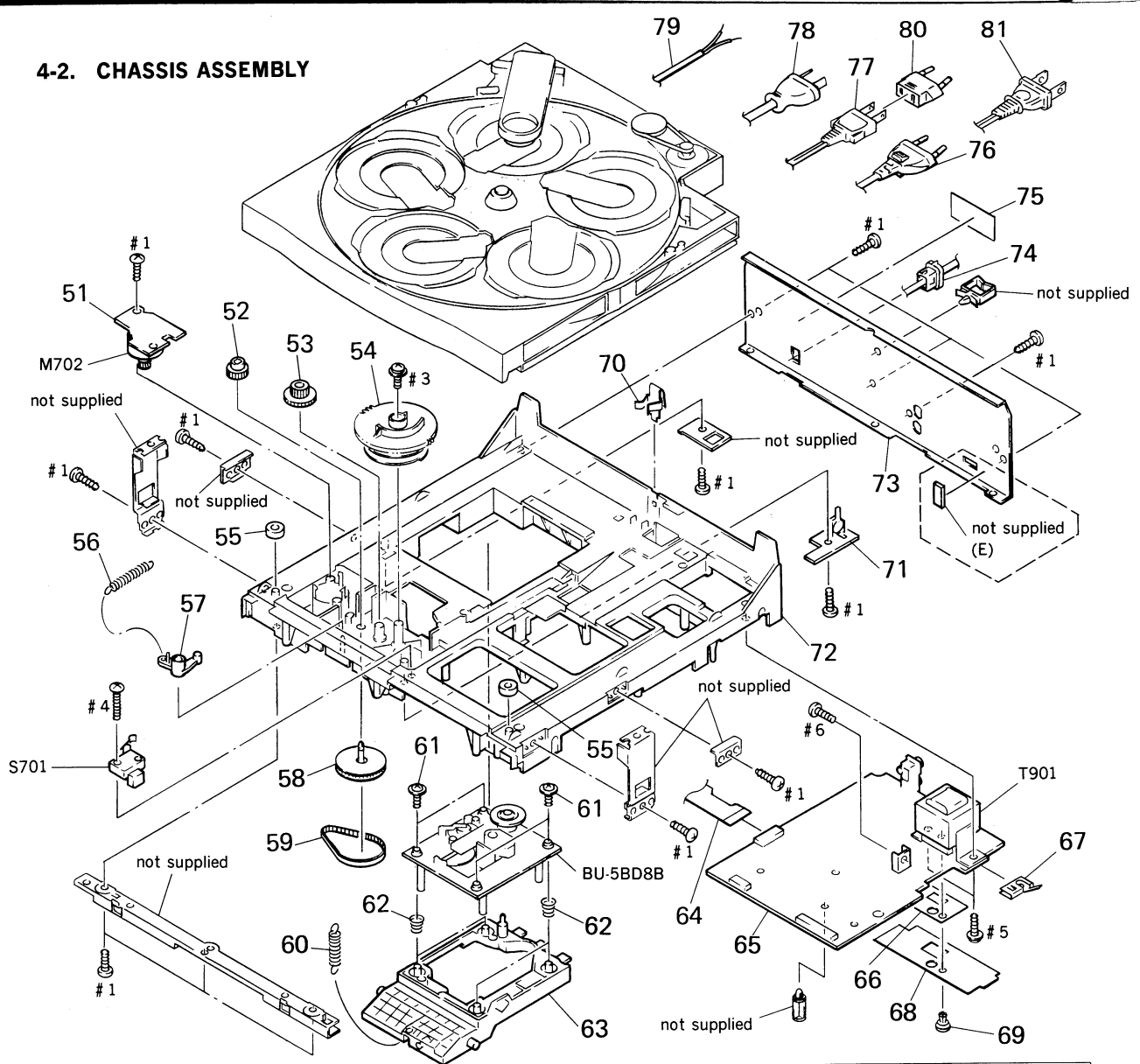
4-1. CABINET ASSEMBLY



Ref. No.	Part No.	Description	Remark
1	X-4942-544-1	PANEL ASSY, FRONT (AEP:BLACK)	
1	X-4942-545-1	PANEL ASSY, FRONT (UK, AEP:GRAY)	
1	X-4942-546-1	PANEL ASSY, FRONT (US)	
1	X-4942-547-1	PANEL ASSY, FRONT (E, AUS)	
2	4-927-341-01	BUTTON (POWER)	
* 3	1-643-531-11	PUSH SW BOARD	
* 4	1-643-529-11	SW BOARD	
5	3-703-685-21	SCREW (+BV 3X8)	
6	4-924-410-01	FELT	
7	4-937-945-01	PLATE (TRANSPORT), LOCK	

Ref. No.	Part No.	Description	Remark
* 8	1-643-530-11	DISPLAY BOARD	
9	1-690-848-21	WIRE (FLAT TYPE) (33 CORE)	
10	1-690-849-21	WIRE (FLAT TYPE) (11 CORE)	
* 11	4-943-992-01	CASE (US, AEP:BLACK)	
* 11	4-943-992-11	CASE (UK, E, AUS, AEP:GRAY)	
12	3-704-366-01	SCREW (CASE) (M3X8)	
* 13	4-929-557-01	CUSHION (PANEL)	
* 14	4-951-946-01	SHEET	
FL601	1-519-721-11	INDICATOR TUBE, FLUORESCENT	

4-2. CHASSIS ASSEMBLY

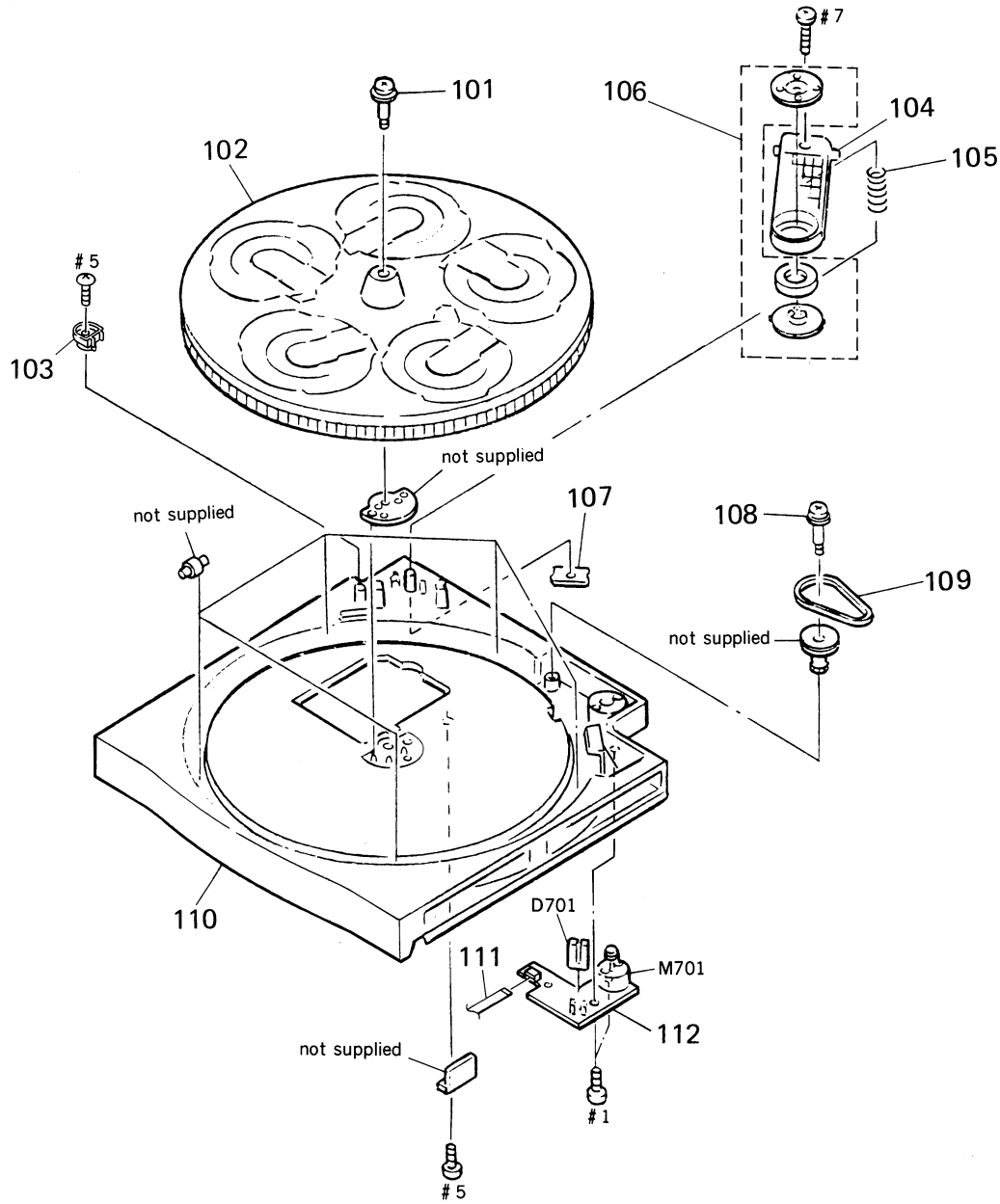


Note: The components identified by mark \triangle or dotted line with mark \triangle are critical for safety. Replace only with part number specified.

Ref. No.	Part No.	Description	Remark
* 51	1-638-730-11	LOADING MOTOR BOARD	
52	4-934-375-01	GEAR (LOADING B)	
53	4-934-381-01	GEAR (LOADING C)	
54	4-934-391-01	GEAR (LOADING A)	
* 55	4-951-619-01	CUSHION (A)	
56	4-924-412-01	SPRING (B), TENSION	
57	4-917-519-01	LEVER, SET	
58	X-4941-529-1	PULLEY ASSY	
59	4-944-490-01	BELT (TIMING)	
60	4-937-911-01	SPRING, TENSION	
61	4-933-134-01	SCREW (+PTPWH M2. 6X6)	
62	4-949-385-01	SPRING (D), COIL	
* 63	4-934-373-01	BRACKET (BU)	
64	1-694-003-11	JAMPER, FILM (WITH TARMINAL)	
* 65	A-4649-204-A	MAIN BOARD, COMPLETE (AEP, UK, AUS)	
* 65	A-4649-212-A	MAIN BOARD, COMPLETE (US)	
* 65	A-4649-219-A	MAIN BOARD, COMPLETE (E)	
* 66	4-951-933-01	SHEET, INSULATING (AEP, UK, AUS)	
* 67	4-944-581-01	PLATE, GROUND	
* 68	4-944-178-01	SHEET (INSULATING)	
69	3-531-576-11	RIVET	

Ref. No.	Part No.	Description	Remark
* 70	4-943-996-01	SPRING, LEAF	
* 71	1-638-731-11	OPEN/UP SW BOARD	
* 72	4-943-997-01	CHASSIS	
* 73	4-949-861-01	PANEL, BACK (US)	
* 73	4-949-861-21	PANEL, BACK (AEP)	
* 73	4-949-861-31	PANEL, BACK (UK, AUS)	
* 73	4-949-861-41	PANEL, BACK (E)	
* 74	3-703-244-00	BUSHING (2104), CORD (EXCEPT E)	
* 74	3-703-571-11	BUSHING (S) (4516), CORD (E)	
* 75	4-941-548-01	LABEL, CLASS 1 (EXCEPT US)	
\triangle 76	1-575-651-21	CORD, POWER (AEP)	
\triangle 77	1-575-653-21	CORD, POWER (E)	
\triangle 78	1-574-358-31	CORD, POWER (WITH CONNECTOR) (AUS)	
\triangle 79	1-558-946-21	CORD, POWER (UK)	
\triangle 80	1-569-007-11	ADAPTER, CONVERSION 2P (E)	
\triangle 81	1-590-836-11	CORD, POWER (US)	
M702	A-4604-834-A	MOTOR ASSY, LOADING	
S701	1-572-713-11	SWITCH, PUSH (WITH CONNECTOR)	
\triangle T901	1-449-955-11	TRANSFORMER, POWER (AEP, UK, AUS)	
\triangle T901	1-449-956-11	TRANSFORMER, POWER (E)	
\triangle T901	1-450-876-11	TRANSFORMER, POWER (US)	

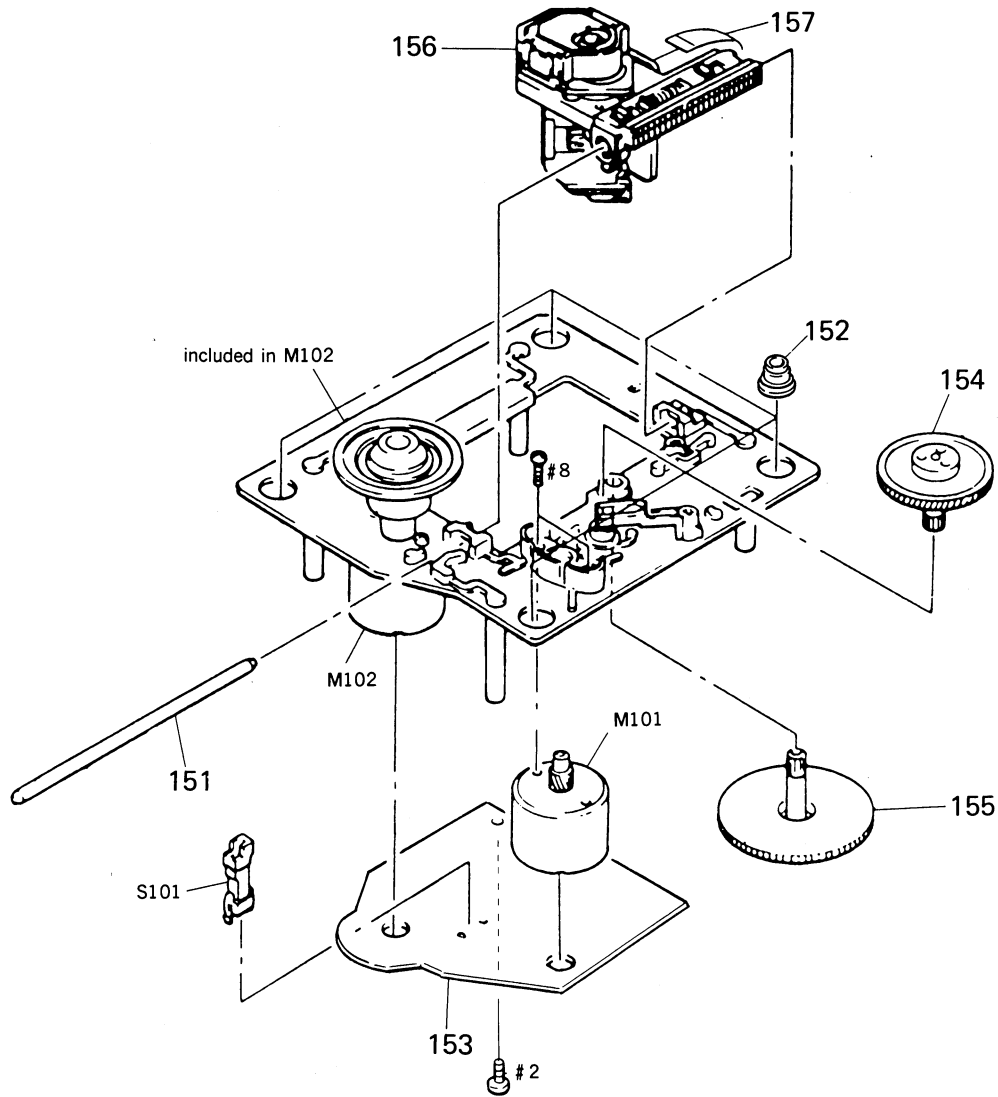
4-3. TRAY ASSEMBLY



Ref. No.	Part No.	Description	Remark
101	4-926-384-01	SCREW, STEP	
* 102	4-926-383-01	TABLE (B), DISK	
* 103	4-949-226-01	PLATE, LOCK	
* 104	4-930-506-02	BRACKET (PRESS PULLEY)	
105	4-926-395-01	SPRING, COMPRESSION	
* 106	1-452-538-11	MAGNET	
* 107	4-926-388-01	BRACKET (ADJUSTMENT)	
108	4-923-597-01	SCREW, STEP	

Ref. No.	Part No.	Description	Remark
109	4-926-399-01	BELT	
110	4-951-106-01	TABLE (A), DISK (UK, E, AEP:GRAY)	
110	4-951-106-11	TABLE (A), DISK (US, AEP:BLACK)	
111	1-590-849-11	WIRE, FLAT TYPE (5 CORE)	
* 112	1-638-729-11	TABLE MOTOR BOARD	
D701	8-719-970-19	DIODE GP1A521	
M701	A-4604-585-A	MOTOR ASSY, ROTARY	

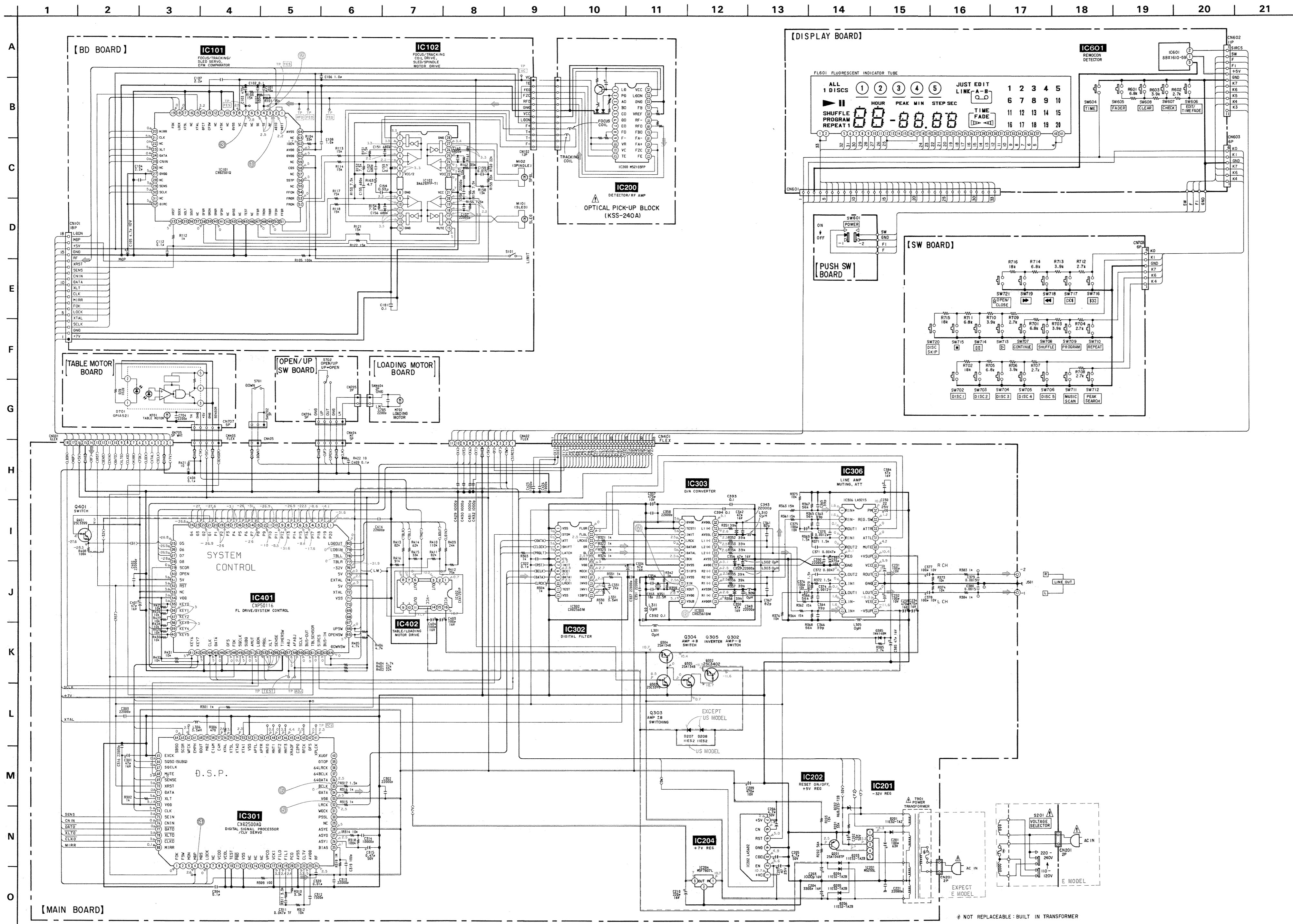
4-4. OPTICAL PICK-UP BLOCK (BU-5BD8B)



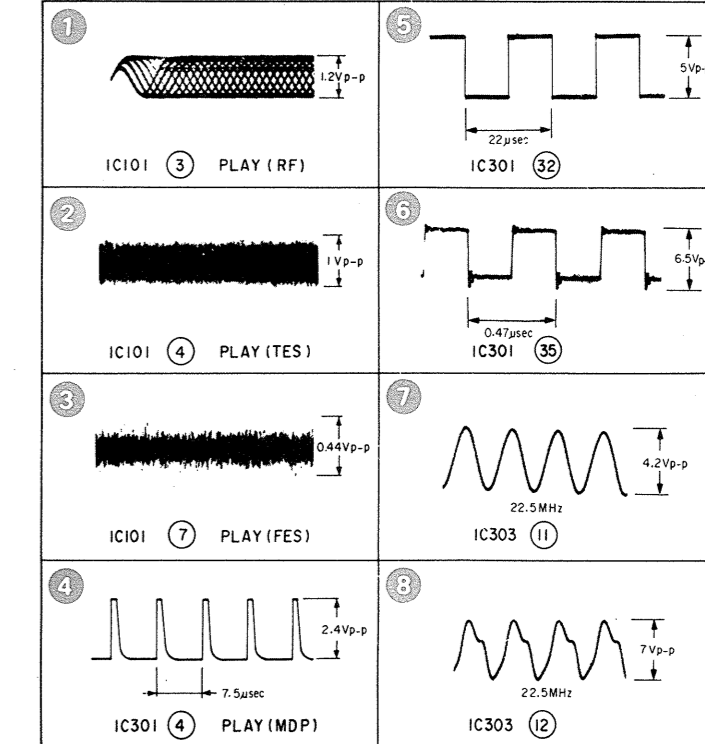
Note: The components identified by mark \triangle or dotted line with mark \triangle are critical for safety. Replace only with part number specified.

Ref. No.	Part No.	Description	Remark
151	4-917-565-01	SHAFT, SLED	
* 152	4-951-940-01	INSULATOR (BU)	
* 153	A-4649-199-A	BD BOARD, COMPLETE	
154	4-917-567-01	GEAR (M)	
155	4-917-564-01	GEAR (P), FLATNESS	

Ref. No.	Part No.	Description	Remark
\triangle 156	8-848-144-11	DEVICE, OPTICAL KSS-240A	
157	1-575-001-11	WIRE, FLAT TYPE (12 CORE)	
M101	X-4917-504-1	MOTOR ASSY, SLED	
M102	X-4917-523-3	MOTOR ASSY, SPINDLE	
S101	1-572-085-11	SWITCH, LEAF (LIMIT)	



• Waveforms



Note:
 • All capacitors are in µF unless otherwise noted. pF: µF
 50WV or less are not indicated except for electrolytics and tantalums.
 • All resistors are in Ω and 1/2W or less unless otherwise specified.

Note:
 The components identified by mark **A** or dotted line with mark **A** are critical for safety. Replace only with part number specified.

Note:
 Les composants identifiés par une marque **A** sont critiques pour la sécurité. Ne les remplacer que par une pièce portant le numéro spécifié.

- : B+ Line
- ◻ : B- Line
- : Voltage and waveforms are dc with respect to ground under no-signal conditions.
- : Voltages are taken with a VOM (Input Impedance 10MΩ). Voltage variations may be noted due to normal production tolerances.
- : Waveforms are taken with an oscilloscope. Voltage variations may be noted due to normal production tolerances.
- : Circled numbers refer to waveforms.
- : Signal path.